

Direction to Elucidare Limited

From the North, South or West:

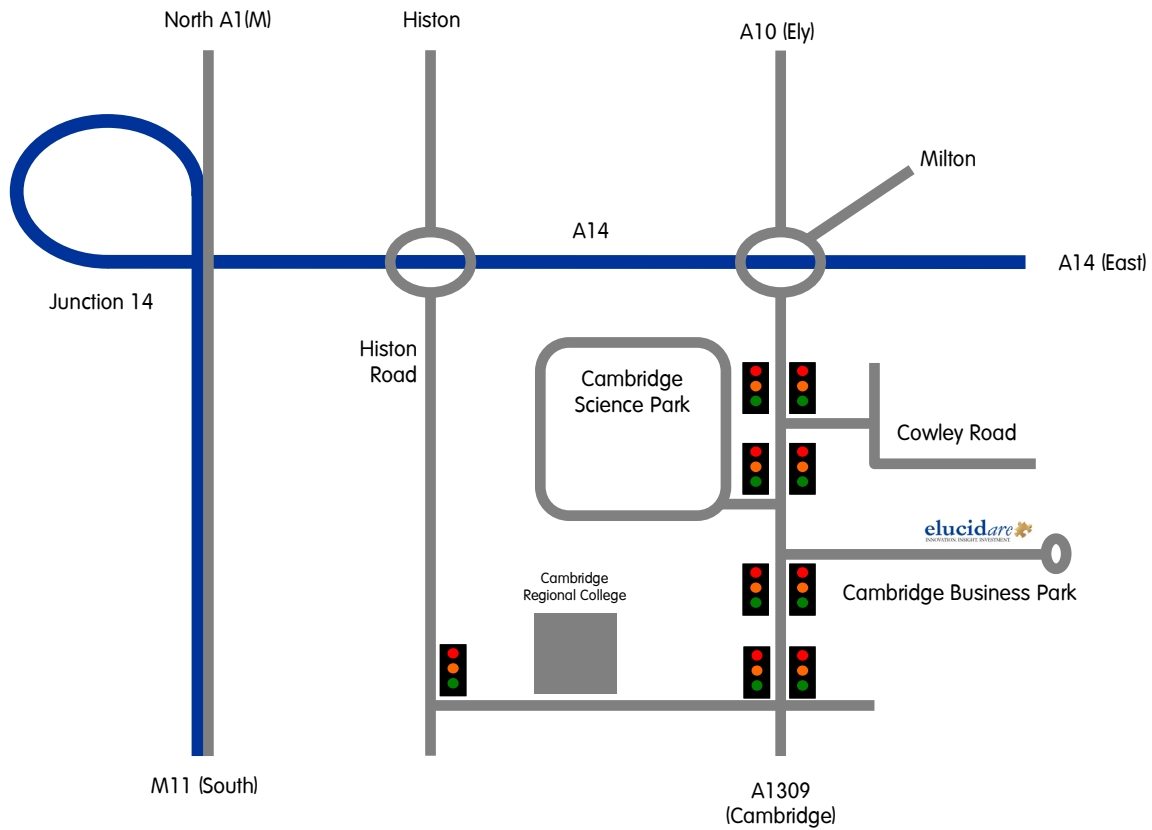
1. Follow the A14, direction to Newmarket
2. Turn off at the A10 Ely junction and take the third turning off the roundabout staying in the left hand lane.
3. Go straight over the first set of traffic lights heading towards the city and after the next set of traffic lights, take the first turning on the left into the Cambridge Business Park.

From the East:

1. Follow the A14, direction to Cambridge
2. Turn off at the A10 Ely junction and take the first turning off the roundabout staying in the left hand lane.
3. Go straight over the first set of traffic lights heading towards the city and after the next set of traffic lights, take the first turning on the left into the Cambridge Business Park.
4. Trinity House is the glass-fronted building on the left as you approach the end of the Business Park. Access to the visitors car park is gained by turning left before the roundabout situated at the end of this road.

Directions from London:

1. From the M25 go to junction 27 and take the M11 (North) signposted Stansted.
2. Stay on the M11 until you reach junction 14 (45 miles approximately).
- At junction 14 take the A14 eastbound, signposted Newmarket, Felixstowe. As soon as you get into the left lane, the road will spiral around in an anti-clockwise direction.
- 3 You will now join another dual carriage way, take this road for about 3 miles and take the A10 Ely junction. Take the third exit off the roundabout and stay in the left hand lane. Go straight over the first set of traffic lights heading towards the city and after the next set of traffic lights, take the first turning on the left into the Cambridge Business Park.
4. Trinity House is the glass-fronted building on the left as you approach the end of the Business Park. Access to the visitors car park is gained by turning left before the roundabout situated at the end of this road.



Elucidare Limited
Trinity House
Cambridge Business Park
Cambridge CB4 0WZ
t: +44 (0)1223 393 558
w: www.elucidare.co.uk